



INSTALLATION INSTRUCTIONS

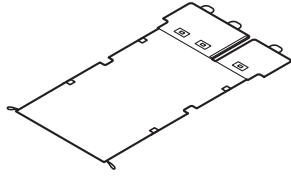
Accessory
CARGO LINER
P/N 08P42-TZ5-202

Application
2015 MDX

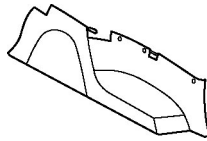
Publications No.
VERSION 2
Issue Date
SEP 2014

PARTS LIST

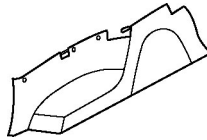
Center cargo liner



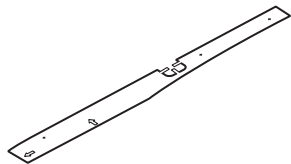
Left cargo liner



Right cargo liner



Template



6 Snap-screws



6 Washers



6 Well nuts



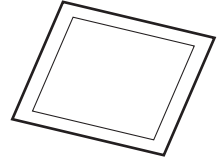
2 Anchors



2 Fastener pads



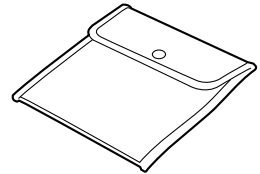
2 Alcohol swabs



2 Bolts



Bag



TOOLS AND SUPPLIES REQUIRED

Phillips screwdriver

Drill

3 mm, 6 mm, 8 mm, and 14 mm Drill bits

Pushpin

Tape

Masking tape

File

Ruler

Eye protection (face shield, safety goggles, etc.)

The following tools are available through the Honda Tool and Equipment Program. On the iN, click on: Service > Service Bay > Tool and Equipment Program, then enter the number under "Search". Or, call 888-424-6857.

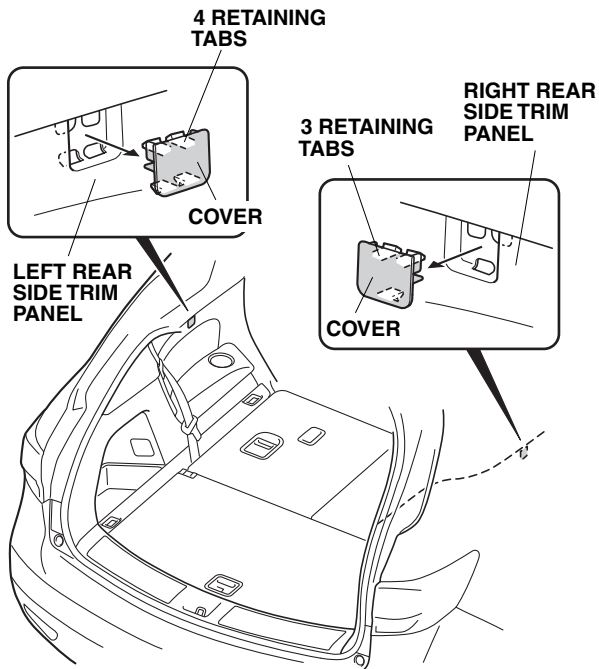
- Plastic Trim Tool (T/N SILTRIMTL10)
- Rubber Roller (T/N MHLE54D)

INSTALLATION

Client Information: The information in this installation instruction is intended for use only by skilled technicians who have the proper tools, equipment, and training to correctly and safely add equipment to your vehicle. These procedures should not be attempted by “do-it-yourselfers.”

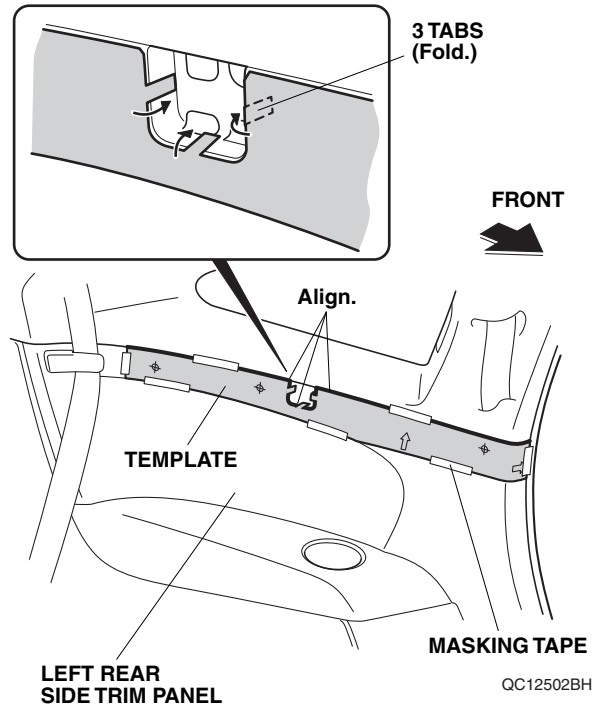
NOTE:

- Be careful not to damage the body.
 - This cargo liner kit should be installed only if the ambient air temperature is 15°C (60°F) or above.
1. Fold down the second row seats and third row seats.
 2. Using a plastic trim tool, remove the cover from the left and right rear side trim panels by releasing the retaining tabs.



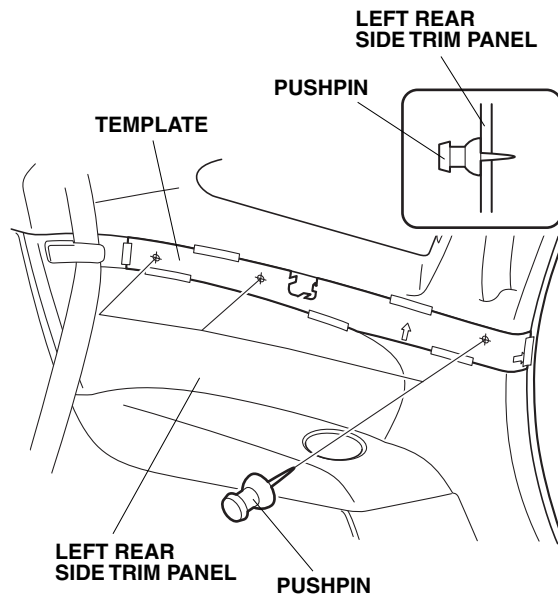
QC32401AH

3. Align the template with the left rear side trim panel as shown. Tape the template to the left rear side trim panel with strips of masking tape.



QC12502BH

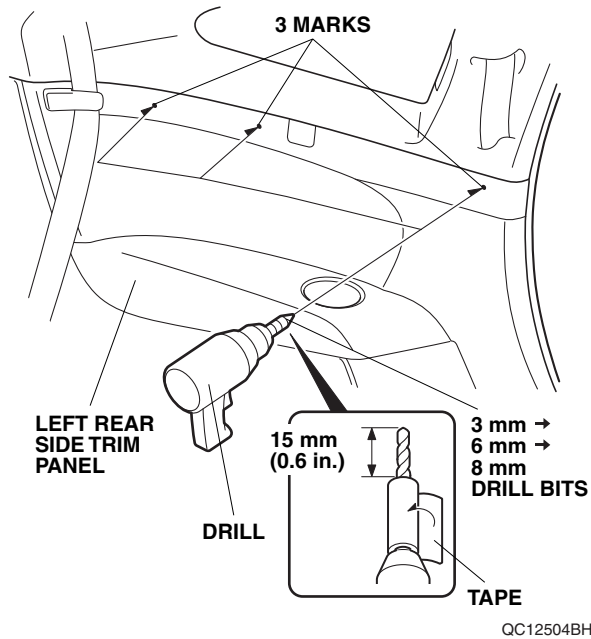
4. Using a pushpin, pierce the left rear side trim panel through the template at the three locations shown on the template.



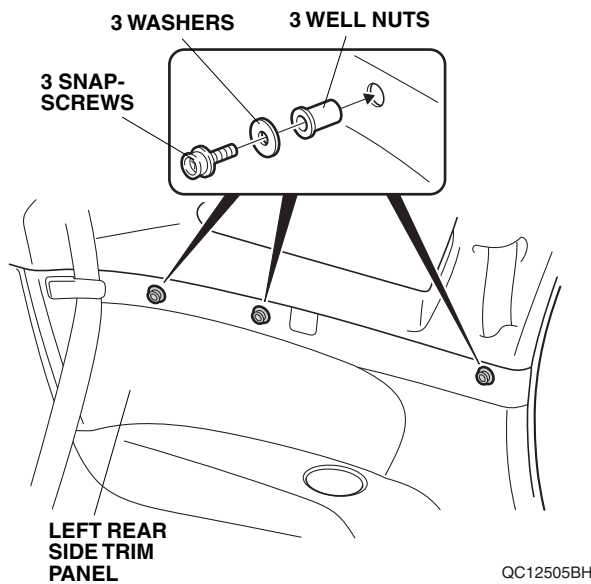
QC12503BH

5. Remove the template.

6. While wearing eye protection, drill the three pierced marks in the left rear side trim panel to 8 mm:
 - Wrap tape around a 3 mm, 6 mm, and an 8 mm drill bits, 15 mm (0.6 in.) away from the tip, or use a drill stop.
 - First drill with a 3 mm drill bit, then with a 6 mm drill bit, and finish with an 8 mm drill bit.
 - Remove any burrs.

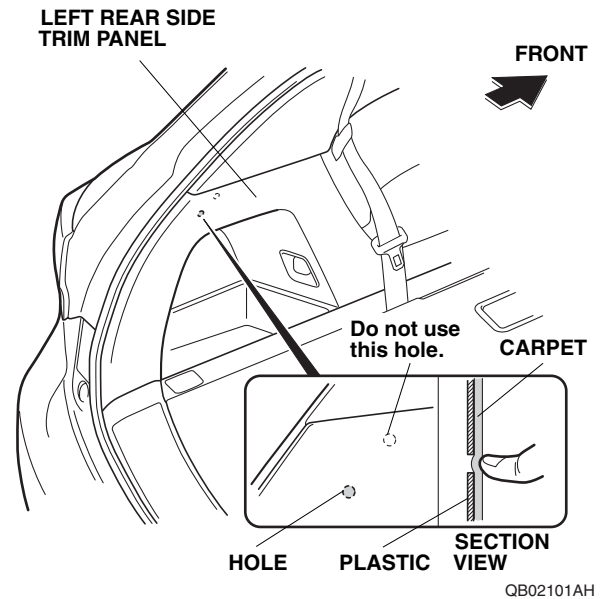


7. Press one well nut into the each hole in the left rear side trim panel.

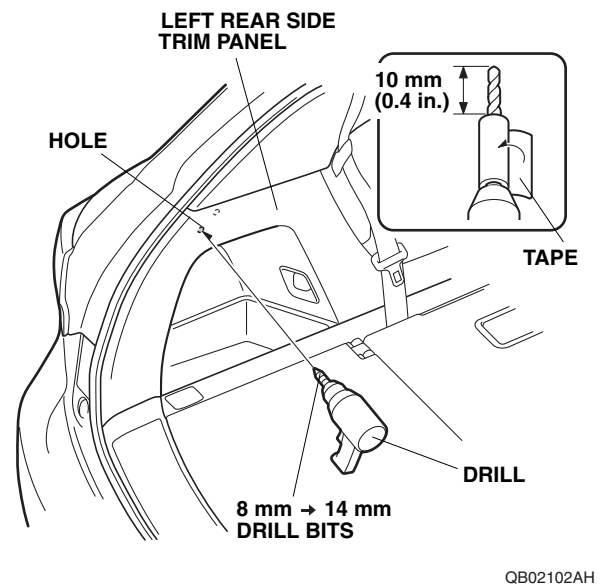


8. Place a washer onto the snap-screw and install three snap-screws into each well nut. Securely tighten the snap-screws.

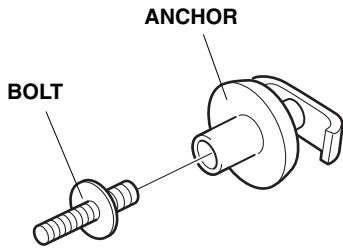
9. At the rear of the left rear side trim panel, use your finger to locate the pre-drilled hole in the panel under the carpet.



10. While wearing eye protection, drill a 14 mm hole in the left rear side trim panel:
 - Wrap tape around an 8 mm and a 14 mm drill bits, 10 mm (0.4 in.) away from the tip, or use a drill stop.
 - First drill with an 8 mm drill bit, and finish with a 14 mm drill bit.
 - Remove any burrs.

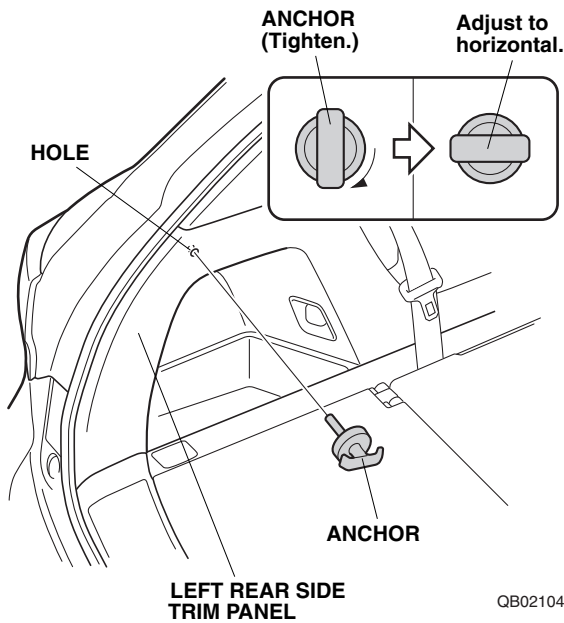


11. Thread one bolt into one anchor.



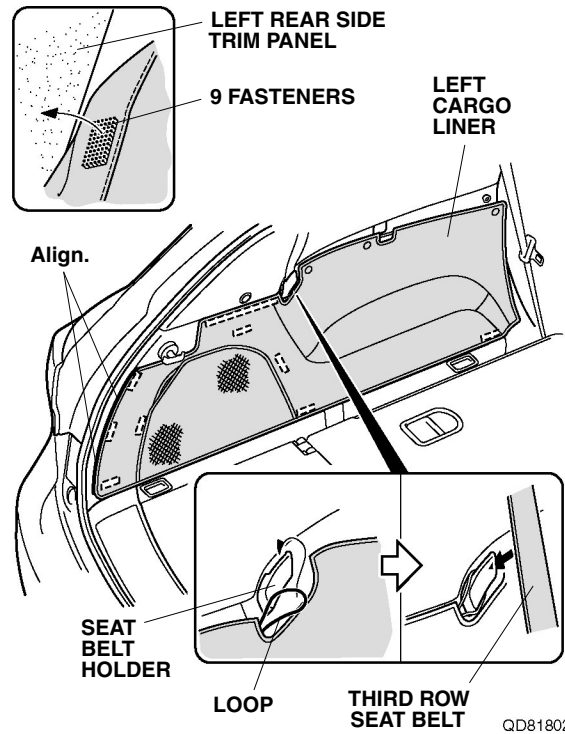
QB02103AH

12. Thread the anchor into the 14 mm hole you drilled. Adjust the anchor to the horizontal position.



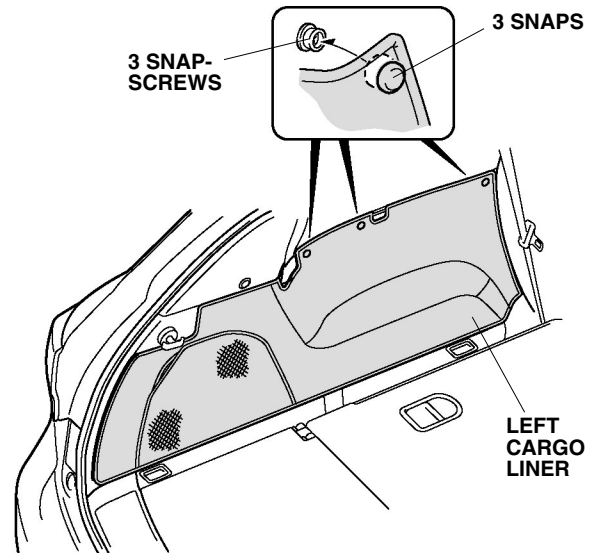
QB02104AH

13. Install the loop on the left cargo liner through the seat belt holder as shown, then insert the third row seat belt under it.



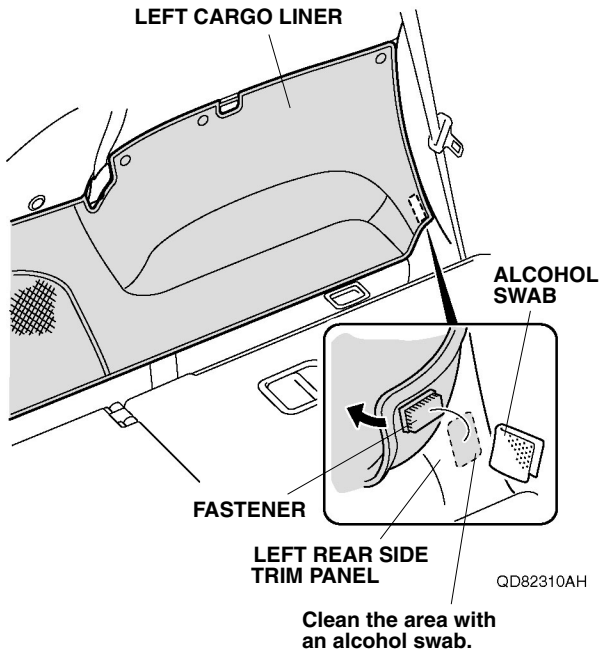
QD81802BH

14. Align the left cargo liner with end of the left rear side trim panel, and secure the left cargo liner to the left rear side trim panel with nine fasteners.
15. Secure the three snaps on the left cargo liner to the three snap-screws.

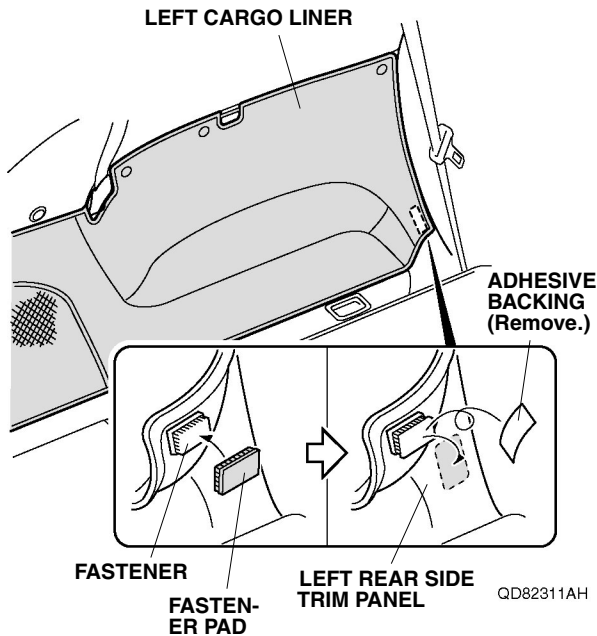


QD81803BH

- Turn the left cargo liner over. Using an alcohol swab, thoroughly clean the area where the fastener pad will attach. Allow the area to dry at least 3 minutes before continuing with the next procedure.

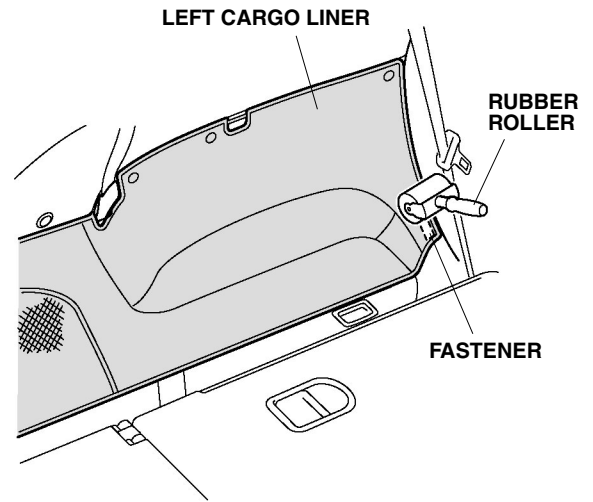


- Attach the fastener pad to the left cargo liner as shown.



- Remove the adhesive backing from the fastener pad, and attach the fastener pad to the left rear side trim panel.

- Press the fastener firmly against the left rear side trim panel with the rubber roller.



QD82312AH

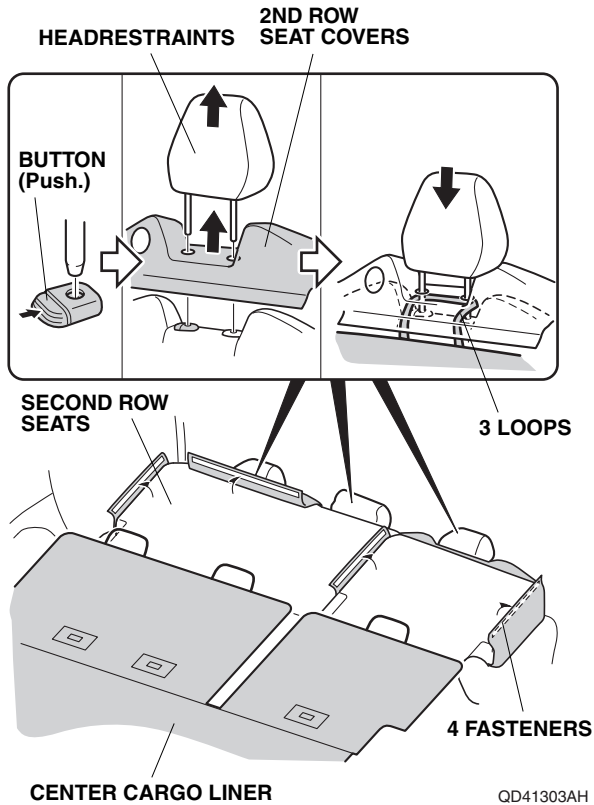
- Turn the template over, and repeat steps 3 through 19 to install the right cargo liner on the right side of the vehicle.

Installing the Center Cargo Liner

If the vehicle is equipped with accessory 2nd row seat covers, continue with step 21; otherwise, go to step 24.

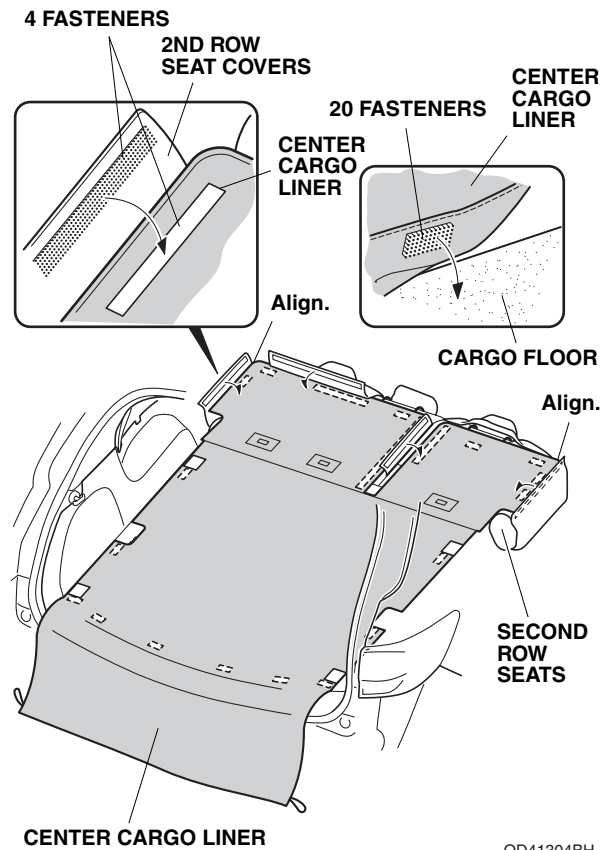
With accessory 2nd row seat covers

21. Raise the second row seats. Remove the headrests from the second row seats, and release four fasteners on the 2nd row seat covers from the second row seats, then install three loops on the center cargo liner through the headrests as shown.



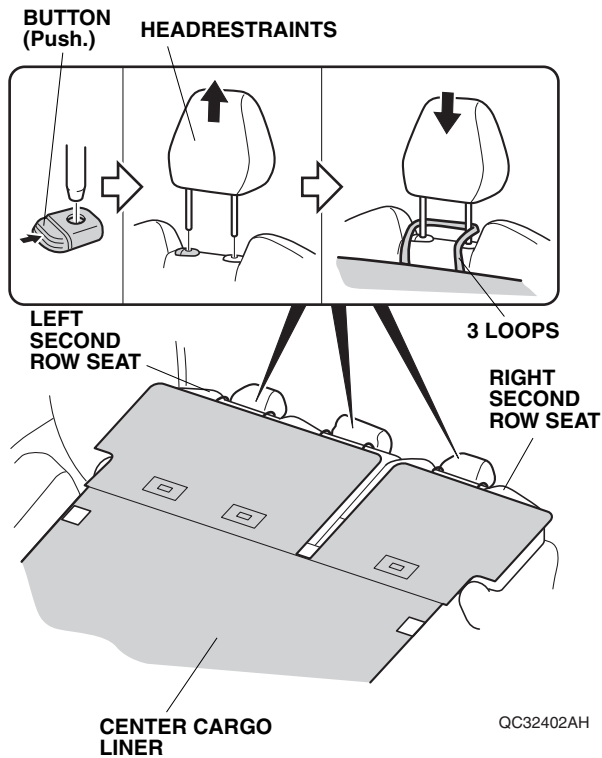
22. Fold down and slide the second row seats forward fully.

23. Align the center cargo liner with each corner of the second row seats, and secure the center cargo liner to the cargo floor with the 20 fasteners, then secure the 2nd row seat covers to the center cargo liner with 4 fasteners. Go to step 27.



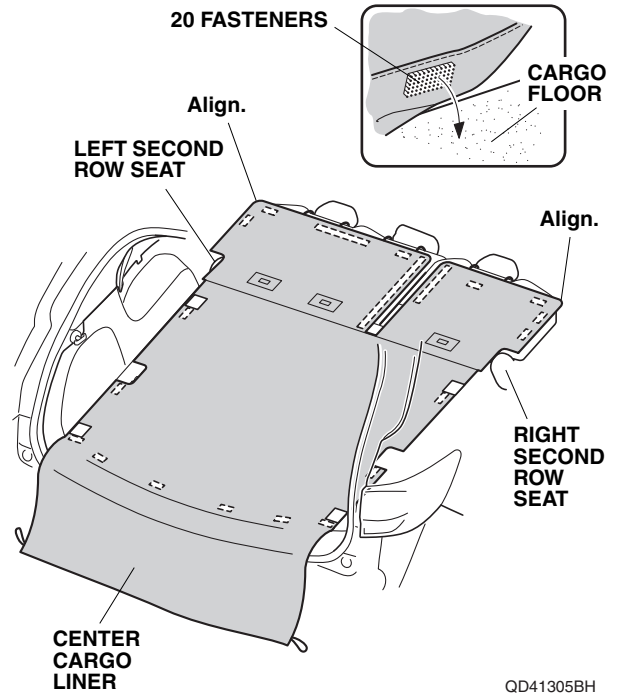
Without accessory 2nd row seat covers

24. Raise the second row seats. Remove the headrests from the second row seats, then install three loops on the center cargo liner through the headrests as shown.

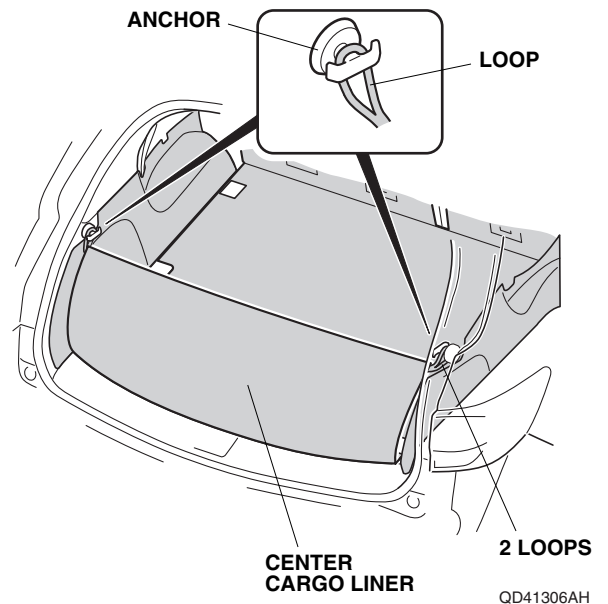


25. Fold down and slide the second row seats forward fully.

26. Align the center cargo liner with each corner of the left and right second row seats, and secure the center cargo liner to the cargo floor with the 20 fasteners.



27. Secure two loops on the center cargo liner to two anchors.



28. Reinstall the two covers removed in step 2 to the left and right rear side trim panels.

USE AND CARE

- Store the cargo liner in the bag for safe-keeping when it is not being used.